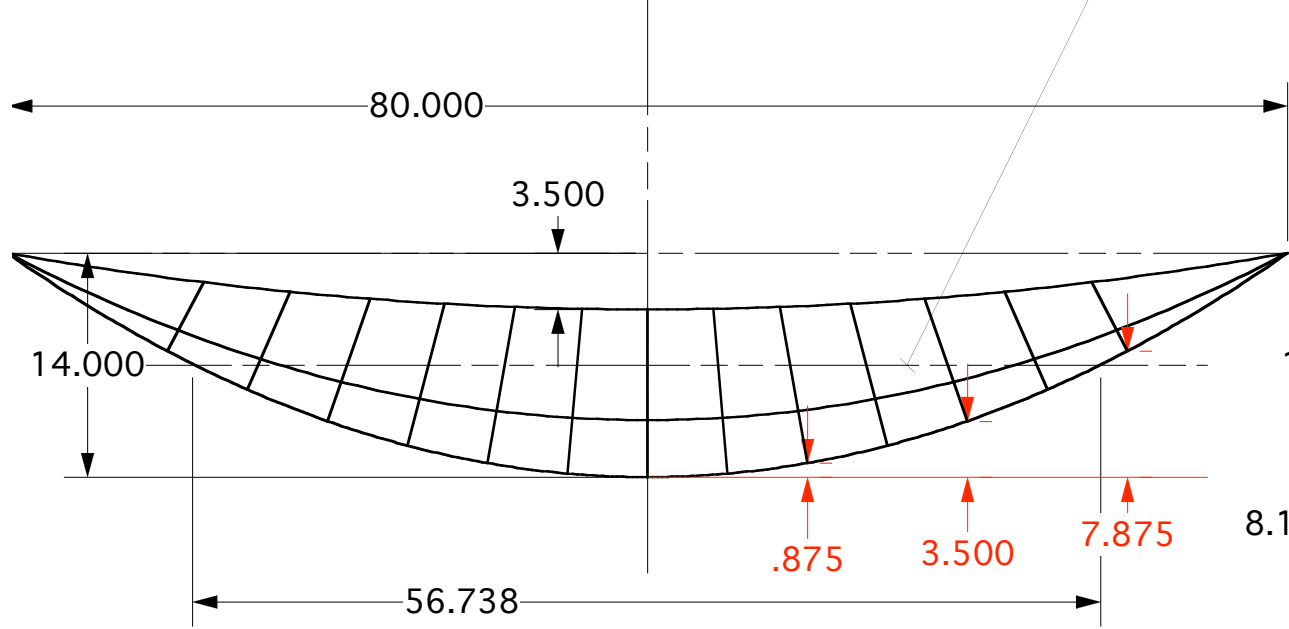
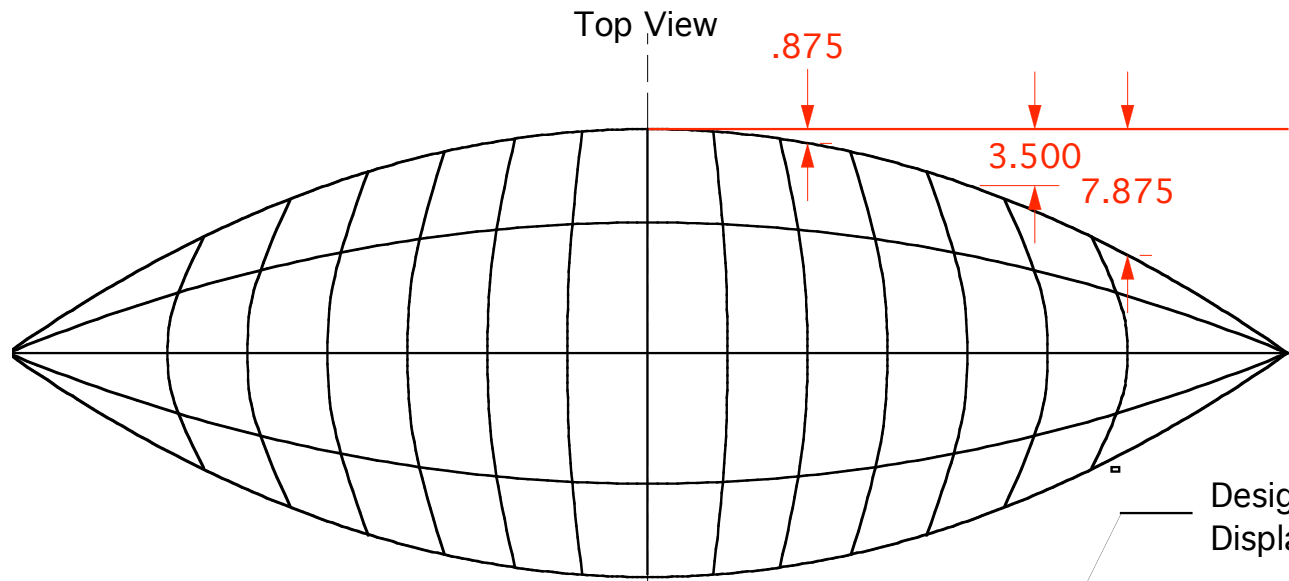
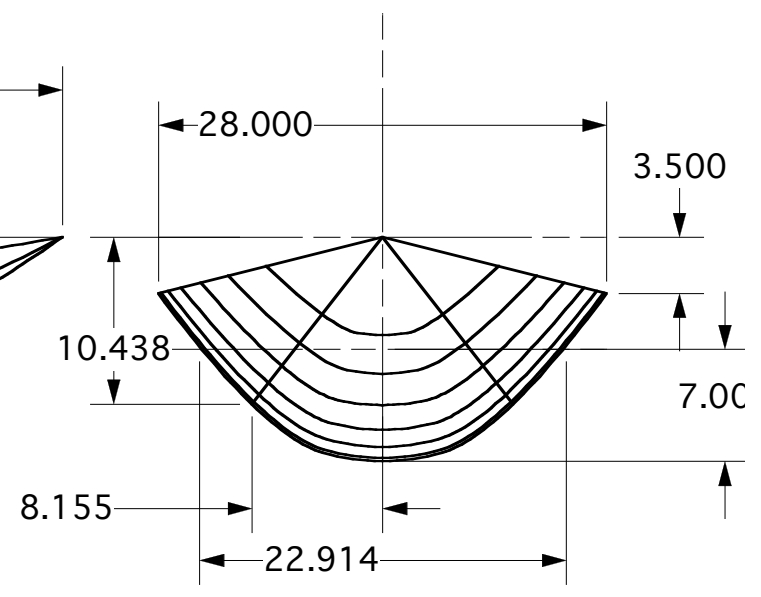


**Stacey's Boat Design**  
 Dimensions = Inches  
 Scale - 1/12



Design Water Line  
 Displacement = 120.5 lbs



Side View

Front/Rear View